



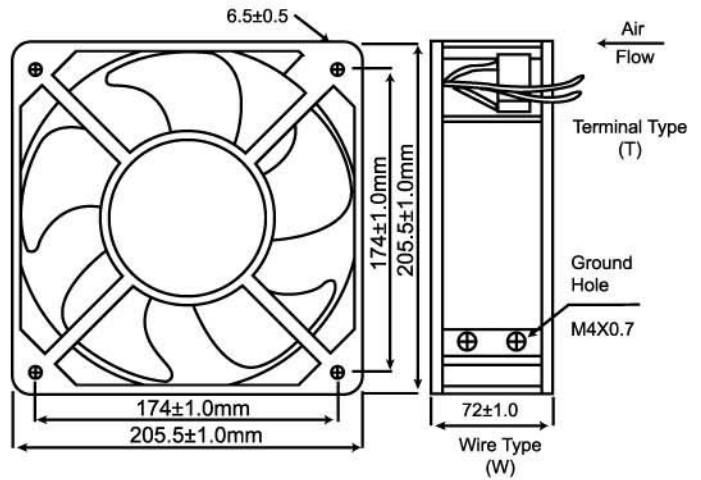
JK20572 SERIES

AC FANS

External Dimensions



Frame: Die-Cast Aluminum
 Impeller: Plastic (UL:94V-0)
 Bearing: Ball bearing
 Lead wire type or terminal type
 Voltage Available: 110V or 220V

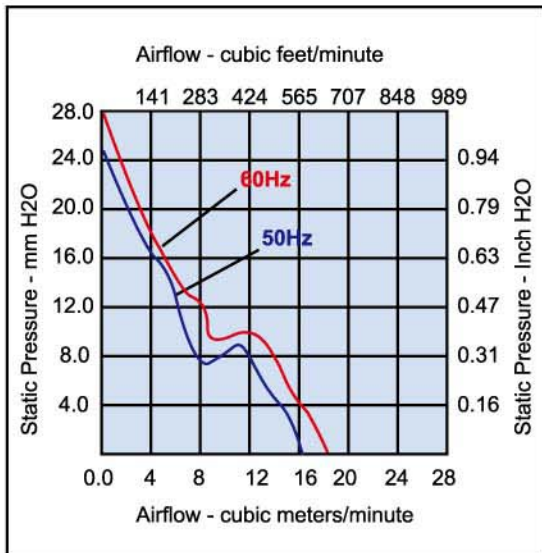


Noise is measured at the distance of one (1) meter from the axis of intake.
 Bearing type: ⊙=Ball ※=Sleeve ○=1B1S ●=Hydraulic Bearing

Specifications(Nominal)

Frame size (mm)	JARO Model No.	Rated (V)	Bearing System Type	Volt. (V)	Freq. (Hz)	Current (A)	Power (W)	Rated Speed (rpm)	Maximum AirFlow (CMM) (CFM)	Maximum Pressure (InAq) (mmAq)	Noise Level (dB/A)
205x205x72	JK20572HAP-110(0BAT)	110	⊙	70-120	50/60	0.60/0.91	68/108	2850/3250	16.1/17.8 560/630	27/12 0.97/0.47	60±2
205x205x72	JK20572HAP-220(0BAT)	220	⊙	150-240	50/60	0.29/0.45	71/110	2850/3250	16.1/17.8 560/630	27/12 0.97/0.47	60±2

" PQ curve below is for "H" speed, for all other speeds please contact your JARO representative. "



	0	1	2	3
Impedance		By IC	RD	FG
	6	9	B	F
Impedance +FG		PWM	PWM+FG	PWM+RD

• Motor protective circuit and third lead wire functions

✓	✓		✓	✓

• Safety approvals