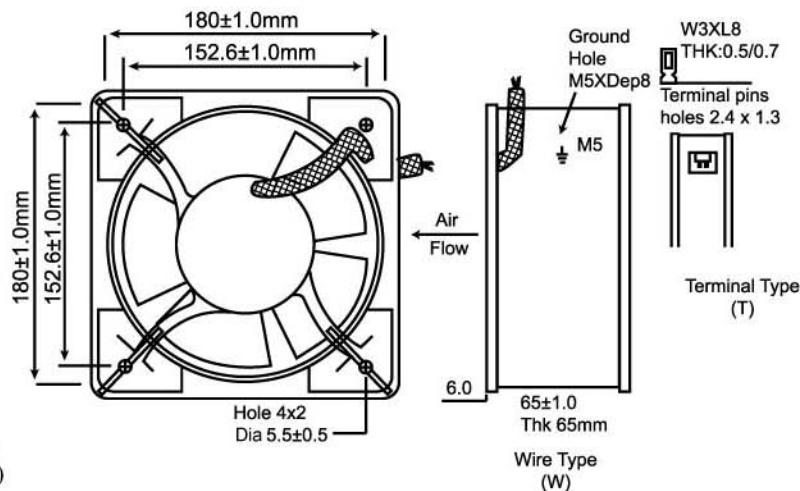




## External Dimensions



Frame: Die-Cast Aluminum  
 Impeller: Plastic (UL:94V-0)  
 Bearing: Ball bearing  
 Lead wire type or terminal type  
 Voltage Available: 110V or 220V



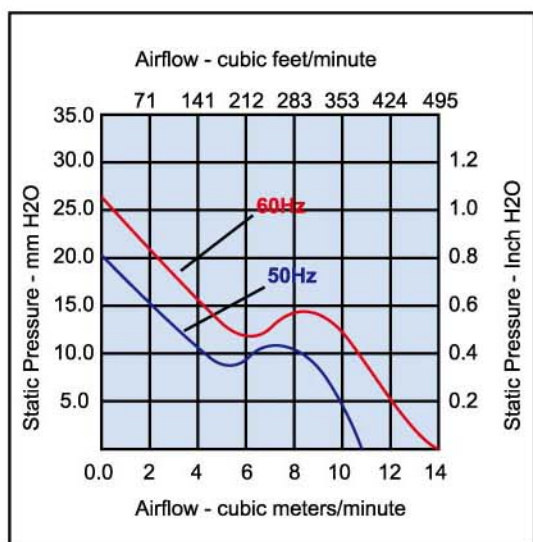
## Specifications(Nominal)

Noise is measured at the distance of one (1) meter from the axis of intake.

Bearing type: ⊙=Ball ⊗=Sleeve ○=1B1S ●=Hydraulic Bearing

Frame size (mm)	JARO Model No.	Rated (V)	Bearing System Type	Volt. (V)	Freq. (Hz)	Current (A)	Power (W)	Rated Speed (rpm)	Maximum AirFlow (CMM) (CFM)	Maximum Pressure (InAq) (mmAq)	Noise Level (dB/A)
180x180x65	JK18065HAP-110(0BAT)	110 115	⊙	70-110 80-130	50/60	0.557/0.480	51.6/55.5	2800/3250	10.8/13.0 355/405	20/26 0.66/0.83	60±2
180x180x65	JK18065HAP-220(0BAT)	200 220 240	⊙	150-210 105-240 160-260	50/60	0.196/0.220	43.5/53	2800/3250	10.8/13.0 355/405	20/26 0.66/0.83	60±2

" PQ curve below is for "H" speed, for all other speeds please contact your JARO representative. "



	0	1	2	3
Impedance		By IC	RD	FG
	6	9	B	F
Impedance +FG		PWM	PWM+FG	PWM+RD

• Motor protective circuit and third lead wire functions

✓	✓		✓	✓

• Safety approvals