



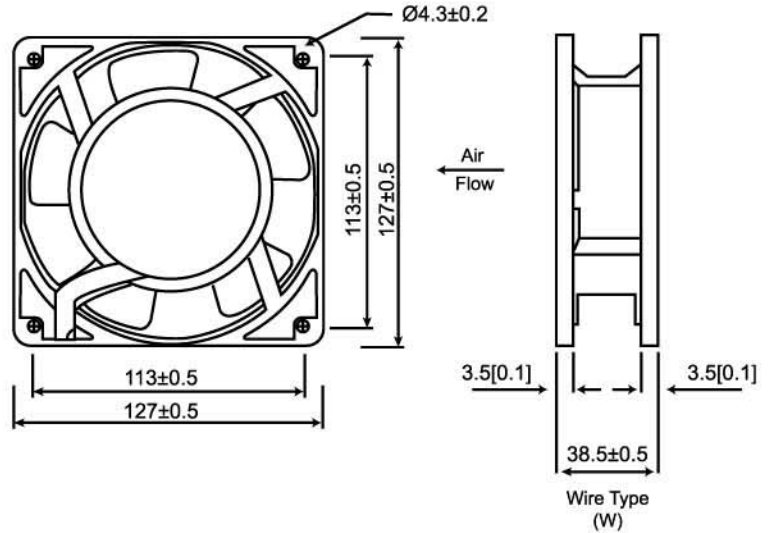
JK12738 SERIES

AC FANS

External Dimensions



Frame: Die-Cast Aluminum
 Impeller: Plastic (UL:94V-0)
 Bearing: Ball bearing
 Lead wire type or terminal type
 Voltage Available: 110V or 220V

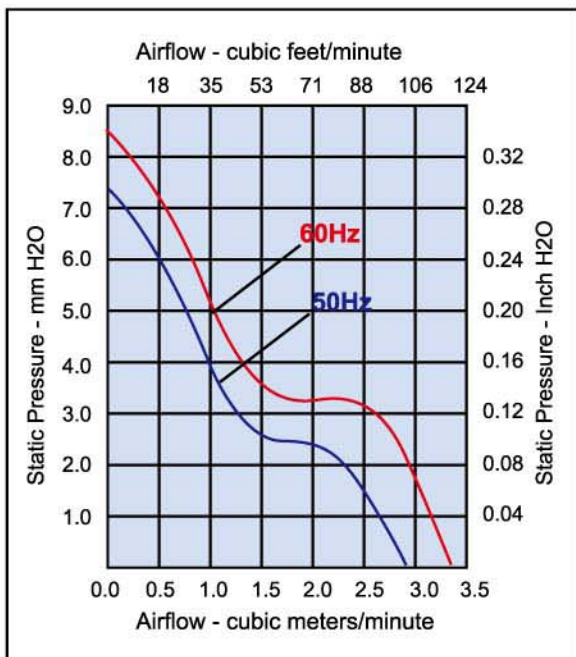


Noise is measured at the distance of one (1) meter from the axis of intake.
 Bearing type: ⊙=Ball ※=Sleeve ○=1B1S ●=Hydraulic Bearing

Specifications(Nominal)

Frame size (mm)	JARO Model No.	Rated (V)	Bearing System Type	Volt. (V)	Freq. (Hz)	Current (A)	Power (W)	Rated Speed (rpm)	Maximum AirFlow (CMM) (CFM)	Maximum Pressure (InAq) (mmAq)	Noise Level (dB/A)		
127x127x38	JK12738HAP-110(0BAT)	110	⊙	70-110	50/60	0.348/0.284	25.2/21.4	2700/3000	3.0/3.3	104/116	7.4/8.5	0.29/0.34	53±2
		115		80-130									
127x127x38	JK12738MAP-220(0BAT)	200	⊙	150-210	50/60	0.199/0.155	27.8/22.6	2700/3000	3.0/3.3	104/116	7.4/8.5	0.29/0.34	53±2
		220		150-240									
		240		160-260									

" PQ curve below is for "H" speed, for all other speeds please contact your JARO representative. "



	0	1	2	3
Impedance		By IC	RD	FG
	6	9	B	F
Impedance +FG		PWM	PWM+FG	PWM+RD

• Motor protective circuit and third lead wire functions

✓	✓		✓	✓

• Safety approvals