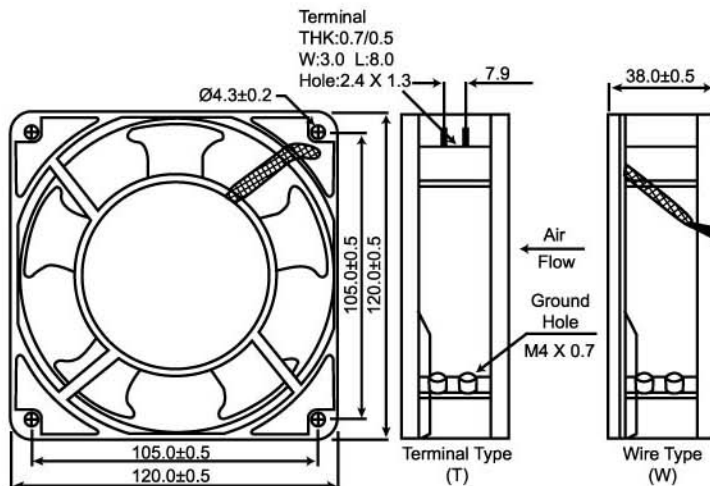




## External Dimensions



Frame: Die-Cast Aluminum  
 Impeller: Plastic (UL:94V-0)  
 Bearing: Ball bearing  
 Lead wire type or terminal type  
 Voltage Available: 110V or 220V



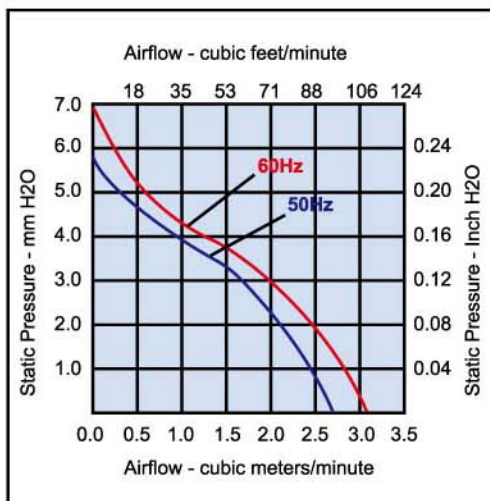
Noise is measured at the distance of one (1) meter from the axis of intake.

Bearing type: ⊙=Ball ⊛=Sleeve ○=1B1S ●=Hydraulic Bearing

## Specifications(Nominal)

Frame size (mm)	JARO Model No.	Rated (V)	Bearing System Type	Volt. (V)	Freq. (Hz)	Current (A)	Power (W)	Rated Speed (rpm)	Maximum AirFlow (CMM)	Maximum AirFlow (CFM)	Maximum Pressure (InAq)	Maximum Pressure (mmAq)	Noise Level (dB/A)
120x120x38	JK12038HAP-110(OBAT)	110 115	⊙	70-110 80-130	50/60	0.287/0.234	21.9/18.6	2650/3000	2.5/3.1	88/110	5.8/7.0	0.23/0.28	42±2
120x120x38	JK12038MAP-110(OBAT)	110 115	⊙	70-110 80-130	50/60	0.155/0.145	13/12.2	2500/2400	1.8/2.0	63/71	4.9/5.4	0.19/0.21	35±2
120x120x38	JK12038LAP-110(OBAT)	110 115	⊙	70-110 80-130	50/60	0.118/0.113	10.4/9.9	2300/1800	1.5/1.4	53/50	4.0/3.7	0.16/0.15	26±2
120x120x38	JK12038HAP-220(OBAT)	200 220 240	⊙	150-210 150-240 160-260	50/60	0.129/0.112	21.4/18.7	2650/3000	2.5/3.1	88/110	5.8/7.0	0.23/0.28	42±2
120x120x38	JK12038MAP-220(OBAT)	200 220 240	⊙	150-210 150-240 160-260	50/60	0.070/0.064	11.8/11.0	2500/2400	1.8/2.0	63/71	4.9/5.4	0.19/0.21	35±2
120x120x38	JK12038LAP-220(OBAT)	200 220 240	⊙	150-210 150-240 160-260	50	0.044	8.3	2050	1.5	53	4.0	0.16	26±2

" PQ curve below is for "H" speed, for all other speeds please contact your JARO representative. "



	0	1	2	3
Impedance		By IC	RD	FG
	6	9	B	F
Impedance +FG		PWM	PWM+FG	PWM+RD

•Motor protective circuit and third lead wire functions

✓	✓		✓	✓

•Safety approvals