



Slim-Line BLOWER

30x30x4mm

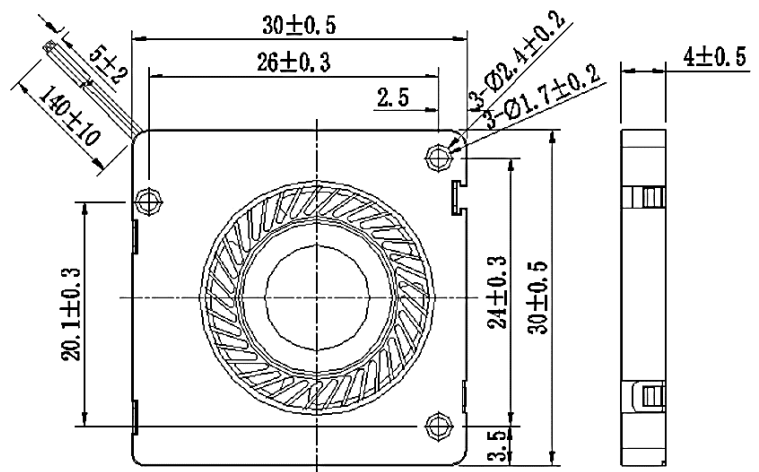
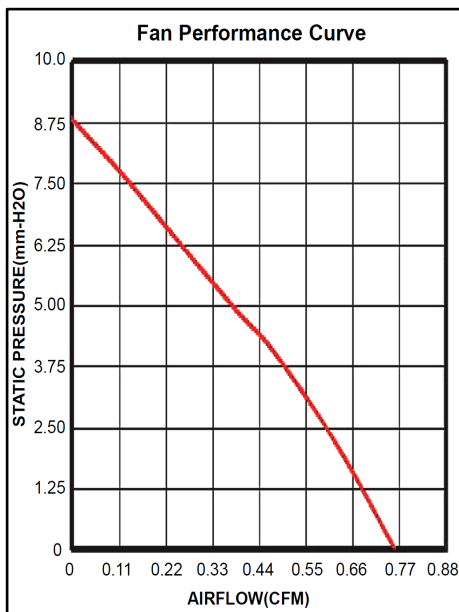


- MOTOR : DC single phase brushless motor
- FRAME : LCP (94V-0) ; IMPELLER : LCP(94V-0)
- OPERATING TEMP.: -10°C~70°C
- STORAGE TEMP.: -40°C~70°C
- WEIGHT : 5g



JARO	*Bearing	Rated	Rated	Rated	Maximum		Maximum		Sound
	System	Voltage	Current	Speed	Air Flow		Static Pressure		Level (0.3M)
Part Number	B / A	V	A	RPM	m ³ /min	CFM	mm-H.O	In-H.O	dBA
JHB3004	A	5.0	0.15	9500	0.021	0.76	8.80	0.346	31.3

*Bearing system B:two ball bearing A: AFB(AEROSPACE FLUID BEARING)



*All models can be customized. Please contact your JARO representative for further information.

*Specs are subject to change without notice. Please visit JARO website at <https://jarothermal.com> for update information.