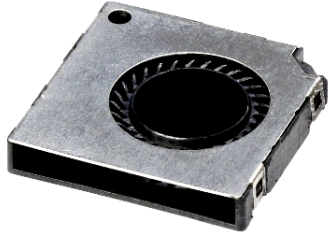




Slim-Line BLOWER



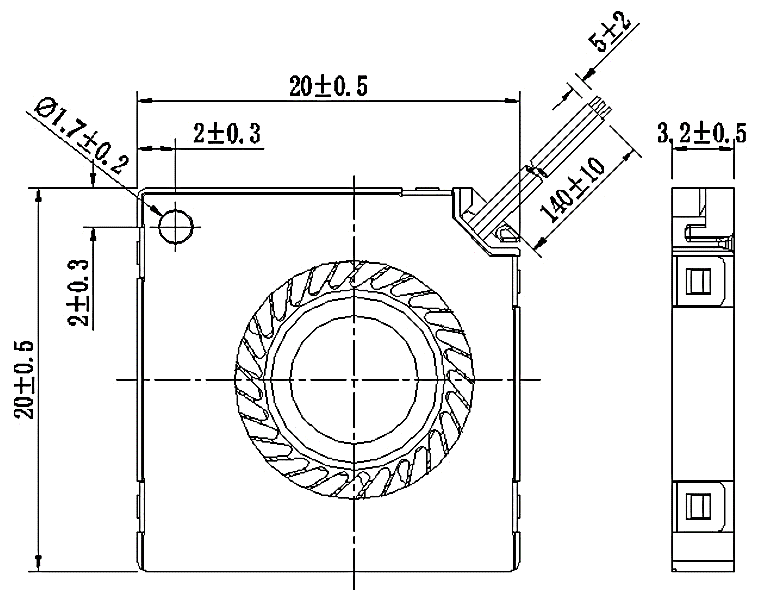
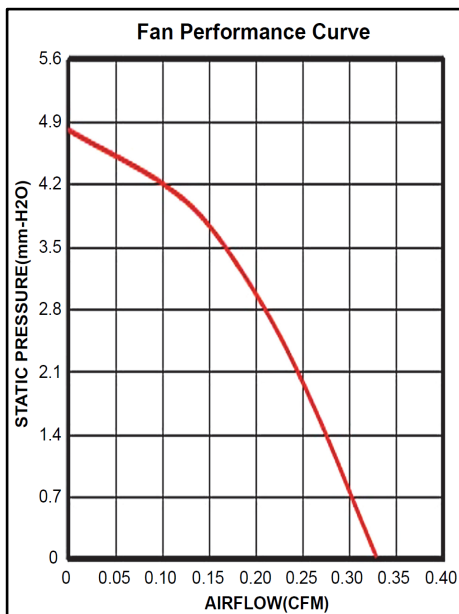
20x20x3.2mm

- MOTOR : DC single phase brushless motor
- FRAME : LCP (94V-0) ; IMPELLER : LCP(94V-0)
- OPERATING TEMP.: -10°C~70°C
- STORAGE TEMP.: -40°C~70°C
- WEIGHT : 1.8g



JARO	*Bearing	Rated	Rated	Rated	Maximum		Maximum		Sound
	System	Voltage	Current	Speed	Air Flow		Static Pressure		Level (0.3M)
Part Number	B / A	V	A	RPM	m ³ /min	CFM	mm-H ₂ O	In-H ₂ O	dBA
JHB2003	A	3.0	0.09	11000	0.009	0.33	4.80	0.188	26.9

*Bearing system B:two ball bearing A: AFB(AEROSPACE FLUID BEARING)



*All models can be customized. Please contact your JARO representative for further information.

*Specs are subject to change without notice. Please visit JARO website at <https://jarothermal.com> for update information.