



## Slim-Line BLOWER

### 17x17x3.2mm

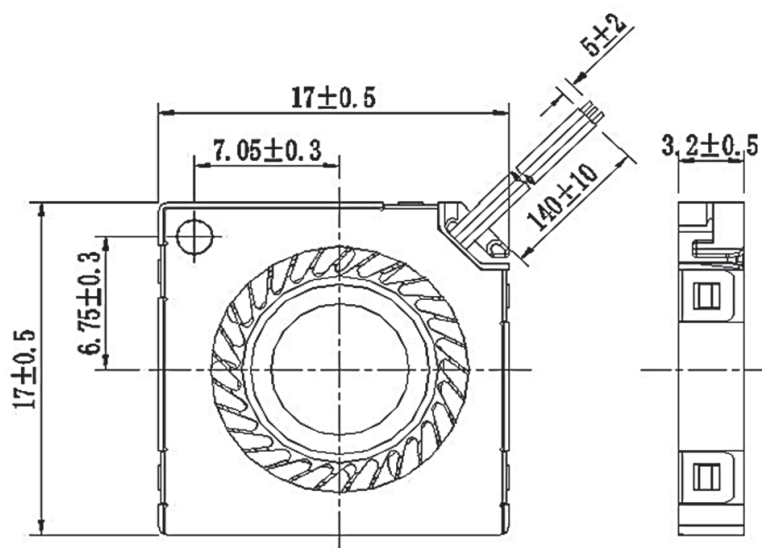
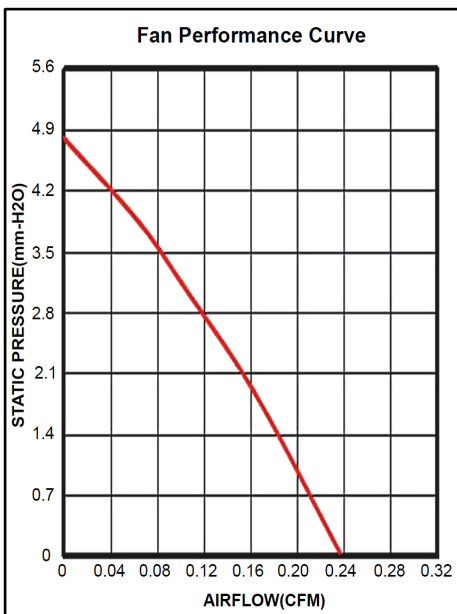


- MOTOR : DC single phase brushless motor
- FRAME : LCP (94V-0) ; IMPELLER : LCP(94V-0)
- OPERATING TEMP.: -10°C~70°C
- STORAGE TEMP.: -40°C~70°C
- WEIGHT : 1.5g



| JARO        | *Bearing | Rated   | Rated   | Rated | Maximum             |      | Maximum             |                     | Sound        |
|-------------|----------|---------|---------|-------|---------------------|------|---------------------|---------------------|--------------|
|             | System   | Voltage | Current | Speed | Air Flow            |      | Static Pressure     |                     | Level (0.3M) |
| Part Number | B / A    | V       | A       | RPM   | m <sup>3</sup> /min | CFM  | mm-H <sub>2</sub> O | In-H <sub>2</sub> O | dBA          |
| JHB1703     | A        | 3.3     | 0.09    | 12000 | 0.006               | 0.24 | 4.80                | 0.188               | 29.0         |

\*Bearing system B:two ball bearing A: AFB(AEROSPACE FLUID BEARING)



\*All models can be customized. Please contact your JARO representative for further information.

\*Specs are subject to change without notice. Please visit JARO website at <https://jarothermal.com> for update information.