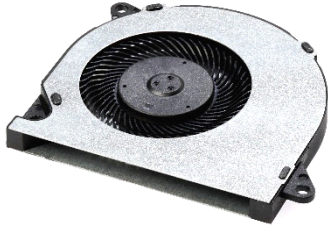




## Slim-Line BLOWER



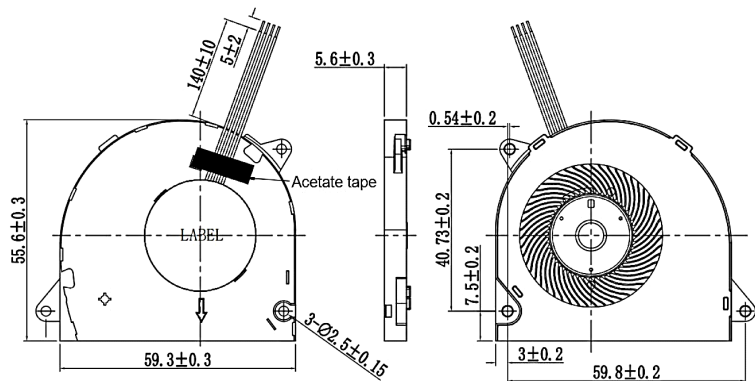
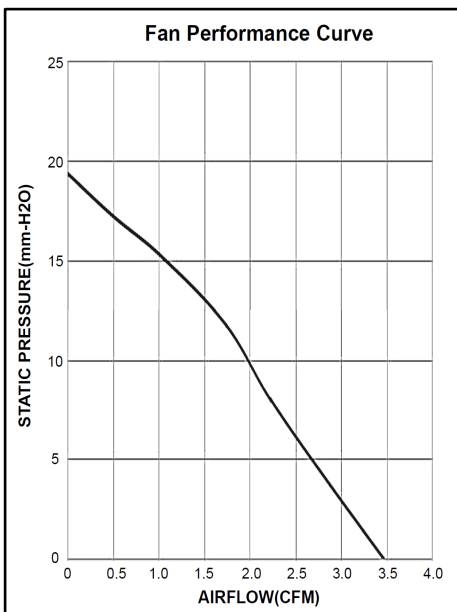
**59.3x55.6x5.6mm**

- MOTOR : DC single phase brushless motor
- FRAME : PBT (94V-0) ; IMPELLER : LCP(94V-0)
- OPERATING TEMP.: -10°C~70°C
- STORAGE TEMP.: -40°C~70°C
- WEIGHT : 20g



JARO	*Bearing	Rated	Rated	Rated	Maximum		Maximum		Sound
	System	Voltage	Current	Speed	Air Flow		Static Pressure		Level (0.5M)
Part Number	B / A	V	A	RPM	m <sup>3</sup> /min	CFM	mm-H.O	In-H.O	dBA
JHB0590505HABA01	A	5.0	0.40	6700	0.098	3.47	19.33	0.761	41.1

\*Bearing system B:two ball bearing A: AFB(AEROSPACE FLUID BEARING)



\*All models can be customized. Please contact your JARO representative for further information.

\*Specs are subject to change without notice. Please visit JARO website at <https://jarothermal.com> for update information.