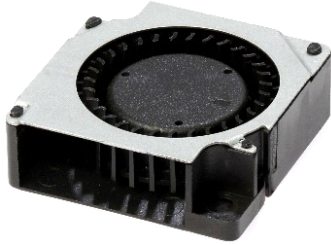




Slim-Line BLOWER



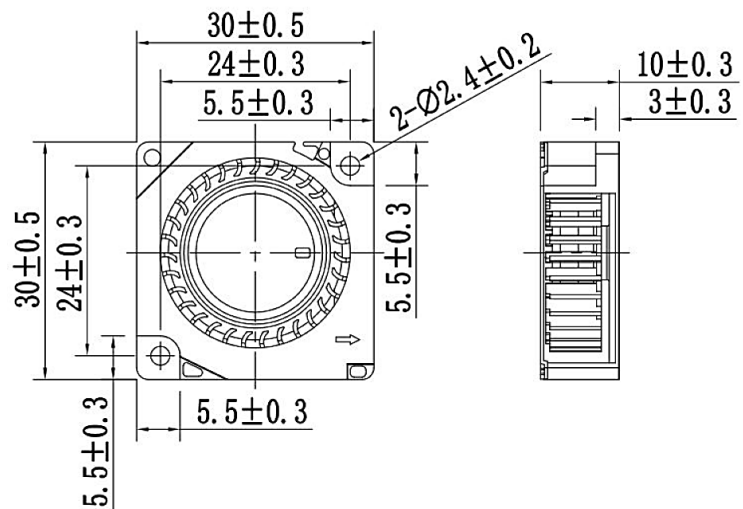
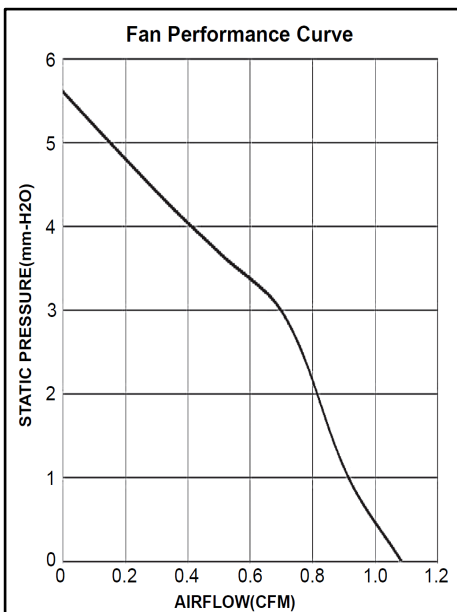
30x30x10mm

- MOTOR : DC single phase brushless motor
- FRAME : PBT (94V-0) ; IMPELLER : LCP(94V-0)
- OPERATING TEMP.: -10°C~70°C
- STORAGE TEMP.: -40°C~70°C
- WEIGHT : 8.4g



JARO	*Bearing	Rated	Rated	Rated	Maximum		Maximum		Sound
	System	Voltage	Current	Speed	Air Flow		Static Pressure		Level (1M)
Part Number	B / A	V	A	RPM	m ³ /min	CFM	mm-H ₂ O	In-H ₂ O	dBA
JHB0301005HA1A01	A	5.0	0.25	7000	0.030	1.09	5.61	0.220	28.0

*Bearing system B:two ball bearing A: AFB(AEROSPACE FLUID BEARING)



*All models can be customized. Please contact your JARO representative for further information.

*Specs are subject to change without notice. Please visit JARO website at <https://jarothermal.com> for update information.