



DC FANS

80x80x38mm

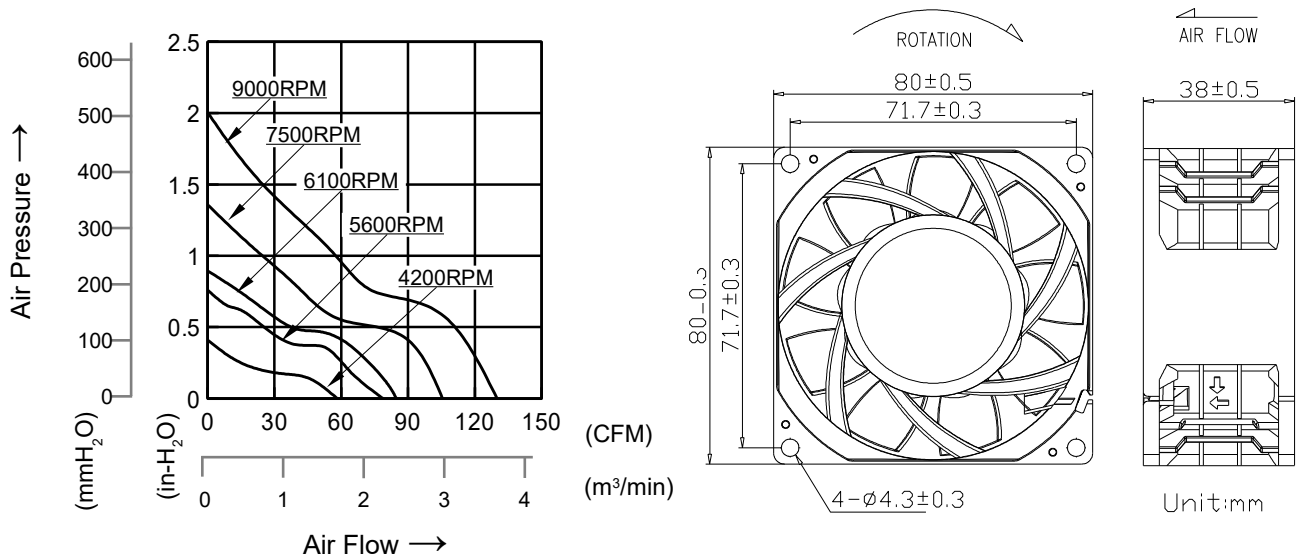


- MOTOR : DC single phase brushless motor
- FRAME : PBT (94V-0) ; IMPELLER : PBT(94V-0)
- OPERATING TEMP.: -10°C~70°C
- STORAGE TEMP.: -40°C~70°C
- WEIGHT : 210g



JARO Part Number	*Bearing System	Rated Voltage	Rated Current	Rated Speed	Maximum Air Flow		Maximum Static Pressure		Sound Level
	B / F	V	A	RPM	m ³ /min	CFM	mm-H ₂ O	In-H ₂ O	dBA
JCD0803812LB1A0B	B	12	0.40	4200	1.65	58.2	10.41	0.41	45
JCD0803812MB1A0B	B	12	0.76	5600	2.23	78.8	19.30	0.76	53
JCD0803812HB1A0B	B	12	1.00	6100	2.40	84.8	22.61	0.89	56
JCD0803812UB1A0B	B	12	1.50	7500	2.99	105.5	34.54	1.36	62
JCD0803812VB1A0B	B	12	2.70	9000	3.68	130.0	50.80	2.00	66
JCD0803824LB1A0B	B	24	0.25	4200	1.65	58.2	10.41	0.41	45
JCD0803824MB1A0B	B	24	0.35	5600	2.23	78.8	19.30	0.76	53
JCD0803824HB1A0B	B	24	0.45	6100	2.40	84.8	22.61	0.89	56
JCD0803824UB1A0B	B	24	0.82	7500	2.99	105.5	34.54	1.36	62
JCD0803824VB1A0B	B	24	1.40	9000	3.68	130.0	50.80	2.00	66
JCD0803848LB1A0B	B	48	0.23	4200	1.65	58.2	10.41	0.41	45
JCD0803848MB1A0B	B	48	0.33	5600	2.23	78.8	19.30	0.76	53
JCD0803848HB1A0B	B	48	0.51	6100	2.40	84.8	22.61	0.89	56
JCD0803848UB1A0B	B	48	0.58	7500	2.99	105.5	34.54	1.36	62
JCD0803848VB1A0B	B	48	0.90	9000	3.68	130.0	50.80	2.00	66

*Bearing system B:two ball bearing



*All models can be customized. Please contact your JARO representative for further information.

*Specs are subject to change without notice. Please visit JARO website at <https://jarothermal.com> for update information.