



DC FANS

80x80x15mm

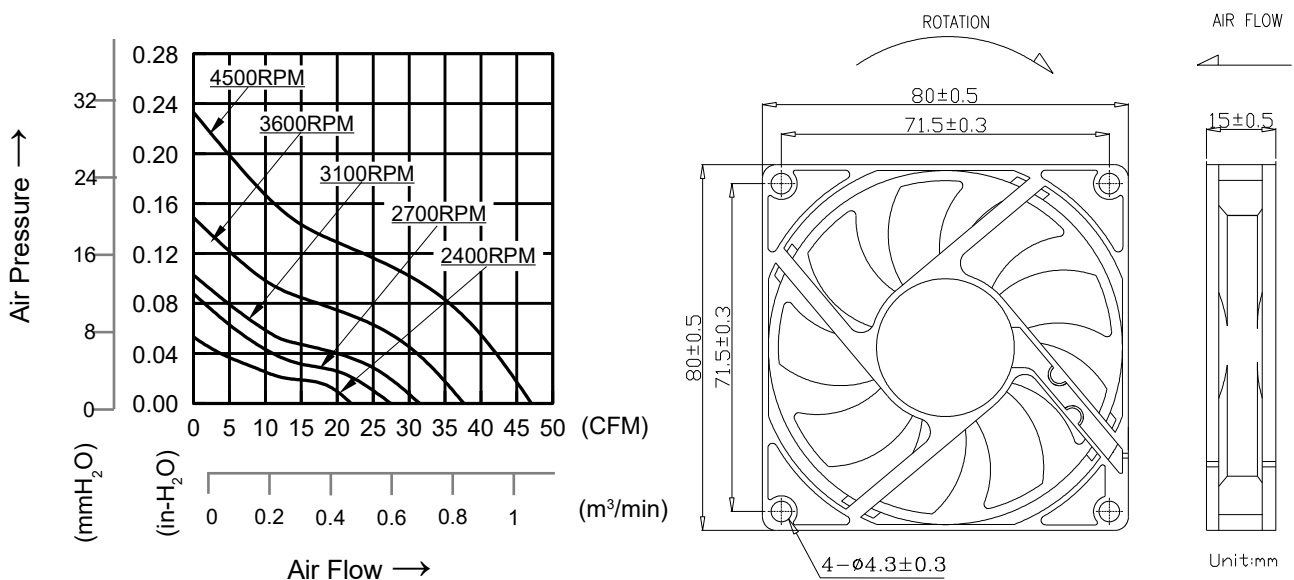


- MOTOR : DC single phase brushless motor
- FRAME : PBT (94V-0) ; IMPELLER : PBT(94V-0)
- OPERATING TEMP.: -10°C~70°C
- STORAGE TEMP.: -40°C~70°C
- WEIGHT : 54g



JARO Part Number	*Bearing System	Rated Voltage	Rated Current	Rated Speed	Maximum Air Flow		Maximum Static Pressure		Sound Level
	B / F	V	A	RPM	m ³ /min	CFM	mm-H ₂ O	In-H ₂ O	dBa
JCD0801512J_1A0E	B / F	12	0.06	2400	0.62	22.0	1.27	0.05	25
JCD0801512L_1A0E	B / F	12	0.10	2700	0.78	27.5	2.29	0.09	30
JCD0801512M_1A0E	B / F	12	0.12	3100	0.89	31.5	2.54	0.10	32
JCD0801512H_1A0E	B / F	12	0.16	3600	1.07	37.6	3.81	0.15	36
JCD0801512U_1A0E	B / F	12	0.30	4500	1.28	45.2	5.33	0.21	43
JCD0801524J_1A0E	B / F	24	0.04	2400	0.62	22.0	1.27	0.05	25
JCD0801524L_1A0E	B / F	24	0.06	2700	0.78	27.5	2.29	0.09	30
JCD0801524M_1A0E	B / F	24	0.08	3100	0.89	31.5	2.54	0.10	32
JCD0801524H_1A0E	B / F	24	0.10	3600	1.07	37.6	3.81	0.15	36

*Bearing system B:two ball bearing F:fluid bearing



*All models can be customized. Please contact your JARO representative for further information.

*Specs are subject to change without notice. Please visit JARO website at <https://jarothermal.com> for update information.