



DC FANS

70x70x15mm

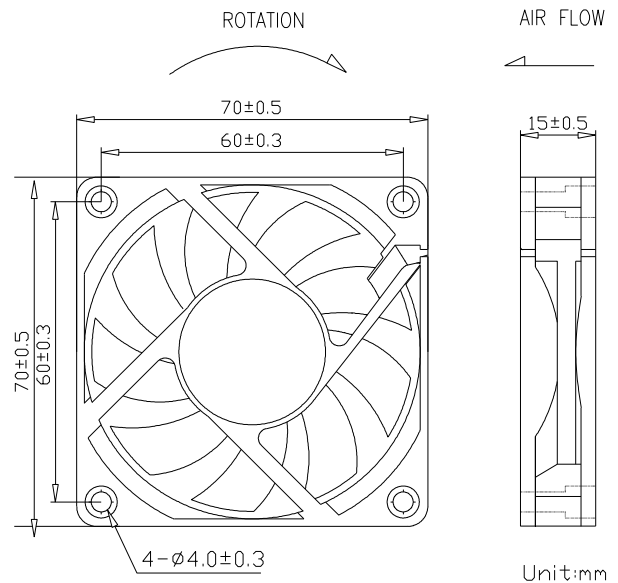
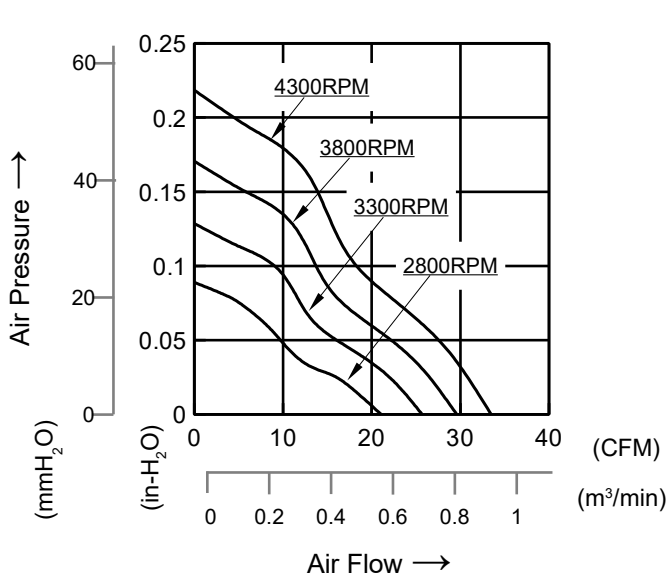


- MOTOR : DC single phase brushless motor
- FRAME : PBT (94V-0) ; IMPELLER : PBT(94V-0)
- OPERATING TEMP.: -10°C~70°C
- STORAGE TEMP.: -40°C~70°C
- WEIGHT : 50g



JARO Part Number	*Bearing System	Rated Voltage	Rated Current	Rated Speed	Maximum Air Flow		Maximum Static Pressure		Sound Level
	B / F	V	A	RPM	m ³ /min	CFM	mm-H ₂ O	In-H ₂ O	dBA
JCD0701512JB1A0E	B	12	0.10	2800	0.60	21.1	2.29	0.09	27
JCD0701512LB1A0E	B	12	0.12	3300	0.73	25.7	3.30	0.13	31
JCD0701512MB1A0E	B	12	0.17	3800	0.84	29.6	4.32	0.17	35
JCD0701512HB1A0E	B	12	0.25	4300	0.95	33.5	5.59	0.22	39
JCD0701524MB1A0E	B	24	0.10	3800	0.84	29.6	4.32	0.17	35
JCD0701524HB1A0E	B	24	0.12	4300	0.95	33.5	5.59	0.22	39

*Bearing system B:two ball bearing



*All models can be customized. Please contact your JARO representative for further information.

*Specs are subject to change without notice. Please visit JARO website at <https://jarothermal.com> for update information.