



DC FANS



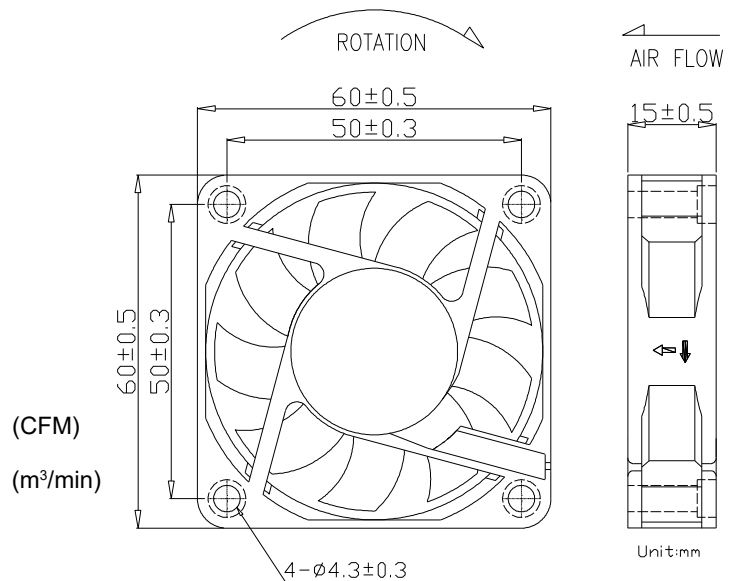
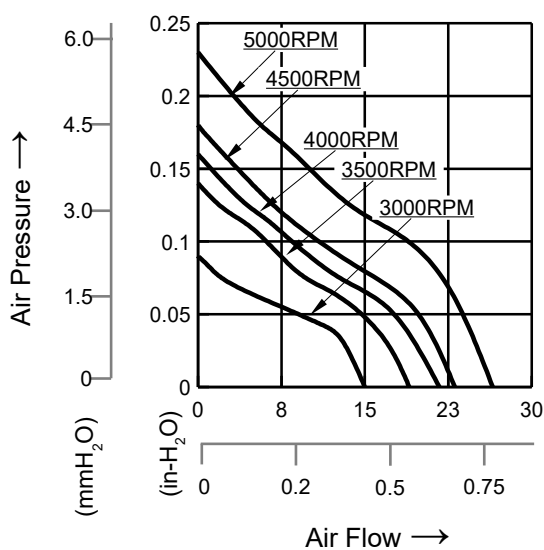
60x60x15mm

- MOTOR : DC single phase brushless motor
- FRAME : PBT (94V-0) ; IMPELLER : PBT(94V-0)
- OPERATING TEMP.: -10°C~70°C
- STORAGE TEMP.: -40°C~70°C
- WEIGHT : 44g



JARO Part Number	*Bearing System	Rated Voltage	Rated Current	Rated Speed	Maximum Air Flow		Maximum Static Pressure		Sound Level
	B / F	V	A	RPM	m ³ /min	CFM	mm-H ₂ O	In-H ₂ O	dBA
JCD0601512J_1A0E	B / F	12	0.06	3000	0.43	15.0	2.29	0.09	24
JCD0601512L_1A0E	B / F	12	0.08	3500	0.54	19.0	3.56	0.14	29
JCD0601512M_1A0E	B / F	12	0.10	4000	0.62	21.7	4.06	0.16	32
JCD0601512H_1A0E	B / F	12	0.12	4500	0.65	23.1	4.57	0.18	35
JCD0601512U_1A0E	B / F	12	0.17	5000	0.75	26.5	5.84	0.23	37
JCD0601524L_1A1E	B / F	24	0.08	3500	0.54	19.0	3.56	0.14	29
JCD0601524M_1A0E	B / F	24	0.07	4000	0.62	21.7	4.06	0.16	32
JCD0601524H_1A0E	B / F	24	0.08	4500	0.65	23.1	4.57	0.18	35
JCD0601524H_1A0E	B / F	24	0.11	5000	0.75	26.5	5.84	0.23	37

*Bearing system B:two ball bearing F:fluid bearing



*All models can be customized. Please contact your JARO representative for further information.

*Specs are subject to change without notice. Please visit JARO website at <https://jarothermal.com> for update information.