



DC FANS

60x60x10mm

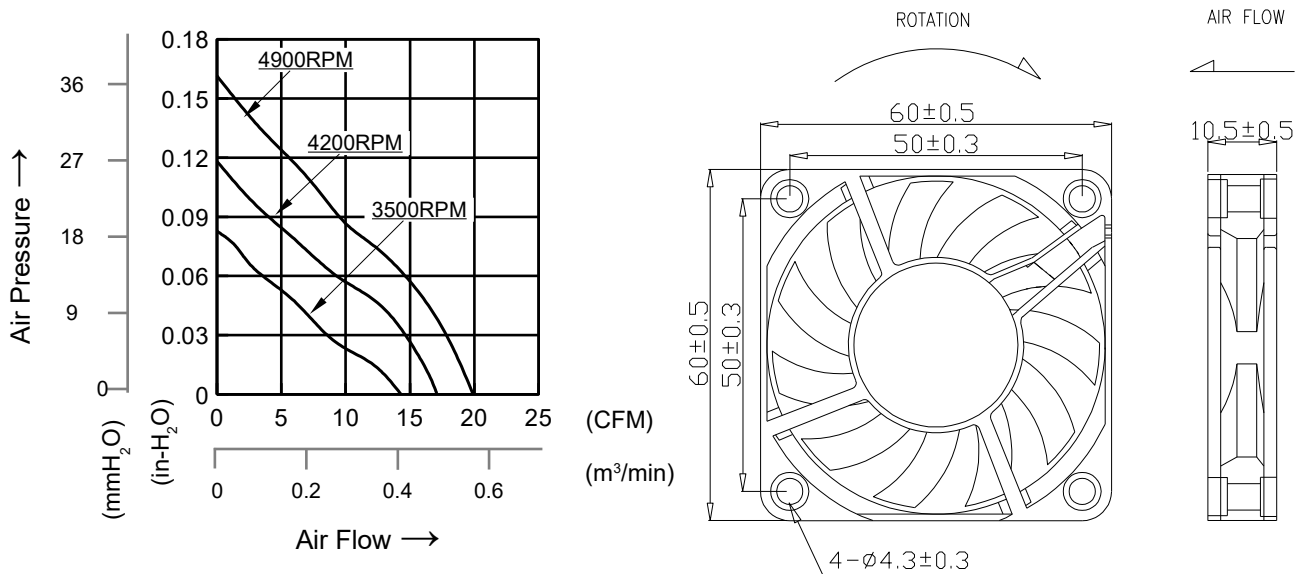


- MOTOR : DC single phase brushless motor
- FRAME : PBT (94V-0) ; IMPELLER : PBT(94V-0)
- OPERATING TEMP.: -10°C~70°C
- STORAGE TEMP.: -40°C~70°C
- WEIGHT : 37g



JARO Part Number	*Bearing System	Rated Voltage	Rated Current	Rated Speed	Maximum Air Flow		Maximum Static Pressure		Sound Level
	B / F	V	A	RPM	m ³ /min	CFM	mm-H ₂ O	In-H ₂ O	dB(A)
JCD0601005L_1A0E	B / F	5	0.30	3500	0.56	14.3	2.03	0.08	28
JCD0601005M_1A0E	B / F	5	0.38	4200	0.67	17.1	3.05	0.12	33
JCD0601005H_1A1E	B / F	5	0.42	4900	0.78	19.9	4.06	0.16	37
JCD0601012L_1A0E	B / F	12	0.14	3500	0.56	14.3	2.03	0.08	28
JCD0601012M_1A0E	B / F	12	0.17	4200	0.67	17.1	3.05	0.12	33
JCD0601012U_1A0E	B / F	12	0.20	4900	0.78	19.9	4.06	0.16	37
JCD0601024L_1A0E	B / F	24	0.05	3500	0.56	14.3	2.03	0.08	28
JCD0601024M_1A0E	B / F	24	0.08	4200	0.67	17.1	3.05	0.12	33
JCD0601024H_1A0E	B / F	24	0.10	4900	0.78	19.9	4.06	0.16	37

*Bearing system B:two ball bearing F:fluid bearing



*All models can be customized. Please contact your JARO representative for further information.

*Specs are subject to change without notice. Please visit JARO website at <https://jarothermal.com> for update information.