



## DC FANS

### 40x40x15mm

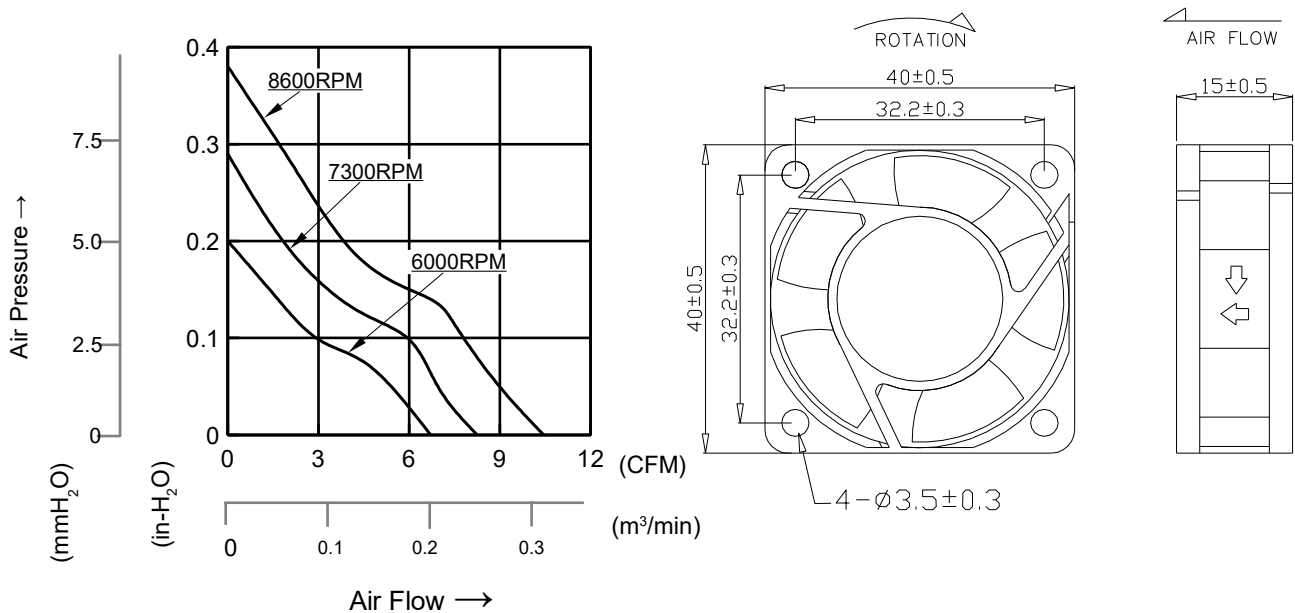


- MOTOR : DC single phase brushless motor
- FRAME : PBT (94V-0) ; IMPELLER : PBT(94V-0)
- OPERATING TEMP.: -10°C~70°C
- STORAGE TEMP.: -40°C~70°C
- WEIGHT : 20g



JARO Part Number	*Bearing System	Rated Voltage	Rated Current	Rated Speed	Maximum Air Flow		Maximum Static Pressure		Sound Level
	B / F	V	A	RPM	m <sup>3</sup> /min	CFM	mm-H <sub>2</sub> O	In-H <sub>2</sub> O	dBA
JCD0401512LB1A0E	B	12	0.08	6000	0.19	6.71	5.08	0.20	28
JCD0401512MB1A0E	B	12	0.12	7300	0.23	8.25	7.37	0.29	32
JCD0401512HB1A0E	B	12	0.16	8600	0.30	10.45	9.65	0.38	36

\*Bearing system B:two ball bearing



\*All models can be customized. Please contact your JARO representative for further information.

\*Specs are subject to change without notice. Please visit JARO website at <https://jarothermal.com> for update information.