



## DC FANS



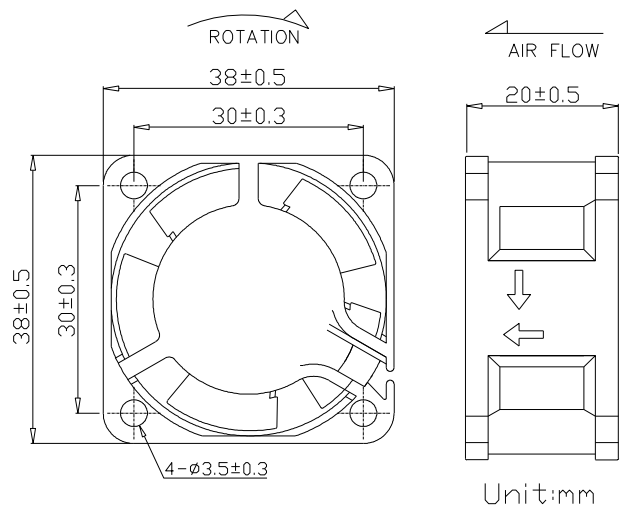
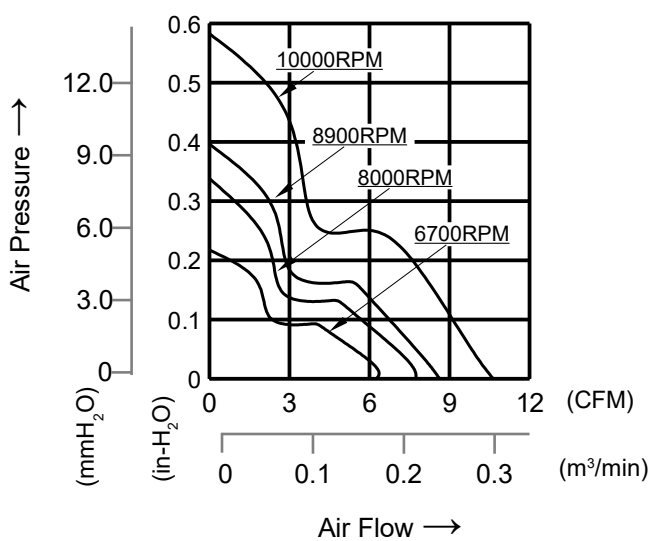
**38x38x20mm**

- MOTOR : DC single phase brushless motor
- FRAME : PBT (94V-0) ; IMPELLER : PBT(94V-0)
- OPERATING TEMP.: -10°C~70°C
- STORAGE TEMP.: -40°C~70°C
- WEIGHT : 31g



JARO Part Number	*Bearing System	Rated Voltage	Rated Current	Rated Speed	Maximum Air Flow		Maximum Static Pressure		Sound Level
	B / F	V	A	RPM	m <sup>3</sup> /min	CFM	mm-H <sub>2</sub> O	In-H <sub>2</sub> O	dBA
JCD0382012LB1A0E	B	12	0.10	6700	0.18	6.3	5.50	0.22	36
JCD0382012MB1A0E	B	12	0.12	8000	0.22	7.4	8.60	0.34	40
JCD0382012HB1A0E	B	12	0.13	8900	0.24	8.6	9.90	0.39	42
JCD0382012UB1A0E	B	12	0.30	10000	0.28	9.7	14.80	0.58	43
JCD0382024LB1A0E	B	24	0.07	6700	0.18	6.5	5.50	0.22	36
JCD0382024MB1A0E	B	24	0.07	8000	0.22	7.8	8.60	0.34	40
JCD0382024HB1A0E	B	24	0.09	8900	0.24	8.6	9.90	0.39	42
JCD0382024UB1A0E	B	24	0.17	10000	0.30	10.6	14.80	0.58	43

\*Bearing system B:two ball bearing



\*All models can be customized. Please contact your JARO representative for further information.

\*Specs are subject to change without notice. Please visit JARO website at <https://jarothermal.com> for update information.