



BLOWERS



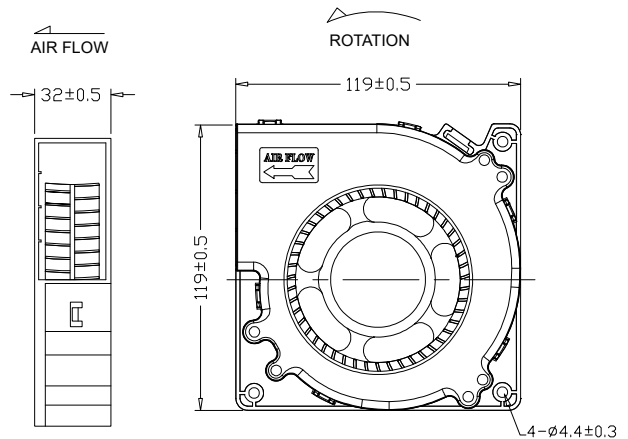
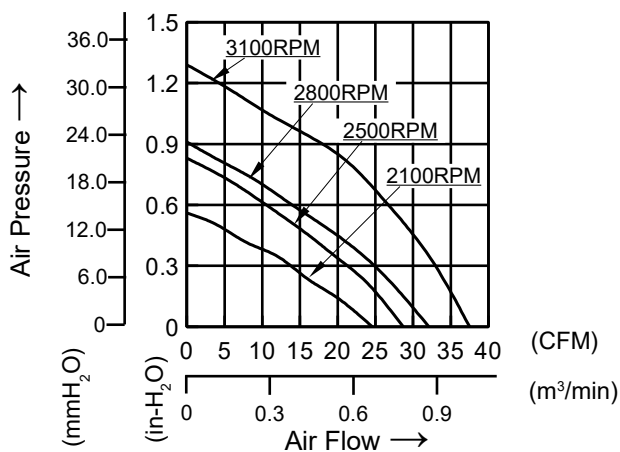
120x120x32mm

- MOTOR : DC single phase brushless motor
- FRAME : PBT (94V-0) ; IMPELLER : PBT(94V-0)
- OPERATING TEMP.: -10°C~70°C
- STORAGE TEMP.: -40°C~70°C
- WEIGHT : 180g



JARO Part Number	*Bearing System	Rated Voltage	Rated Current	Rated Speed	Maximum Air Flow		Maximum Static Pressure		Sound Level
	B	V	A	RPM	m ³ /min	CFM	mm-H ₂ O	In-H ₂ O	dBA
JCB1203212LB1A0E	B	12	0.40	2100	0.70	24.6	14.22	0.56	45
JCB1203212MB1A0E	B	12	0.58	2500	0.82	28.8	21.08	0.83	47
JCB1203212HB1A0E	B	12	1.11	2800	0.91	32.1	26.92	1.06	49
JCB1203212UB1A0E	B	12	1.25	3100	1.06	37.5	32.76	1.29	52

*Bearing system B:two ball bearing



*All models can be customized. Please contact your JARO representative for further information.

*Specs are subject to change without notice. Please visit JARO website at <https://jarothermal.com> for update information.