



# BLOWERS

## 75x77x15mm

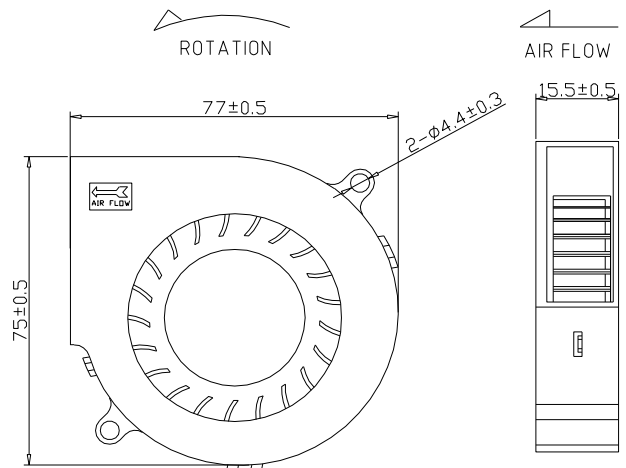
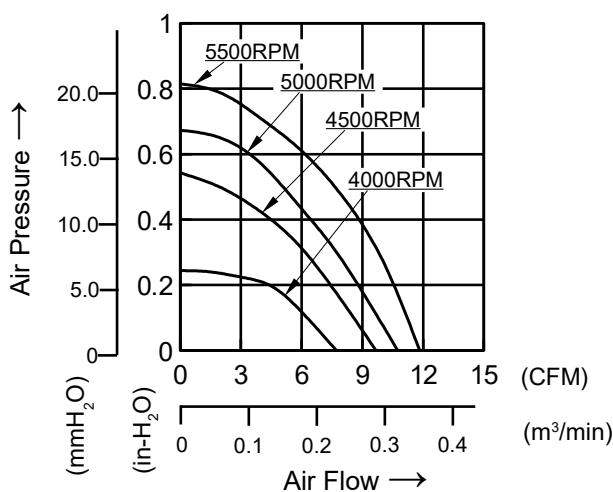


- MOTOR : DC single phase brushless motor
- FRAME : PBT (94V-0) ; IMPELLER : PBT(94V-0)
- OPERATING TEMP.: -10°C~70°C
- STORAGE TEMP.: -40°C~70°C
- WEIGHT : 45g



JARO Part Number	*Bearing System	Rated Voltage	Rated Current	Rated Speed	Maximum Air Flow		Maximum Static Pressure		Sound Level
	B	V	A	RPM	m <sup>3</sup> /min	CFM	mm-H <sub>2</sub> O	In-H <sub>2</sub> O	dB(A)
JCB0751512LB1A0E	B	12	0.21	4000	0.21	7.4	6.20	0.24	43
JCB0751512MB1A0E	B	12	0.32	4500	0.27	9.7	13.80	0.54	47
JCB0751512HB1A0E	B	12	0.40	5000	0.31	10.8	17.10	0.67	49
JCB0751512UB1A0E	B	12	0.50	5500	0.34	11.9	20.75	0.81	51

\*Bearing system B:two ball bearing



\*All models can be customized. Please contact your JARO representative for further information.

\*Specs are subject to change without notice. Please visit JARO website at <https://jarothermal.com> for update information.