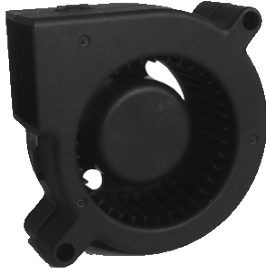




## BLOWERS

**60x60x25mm**

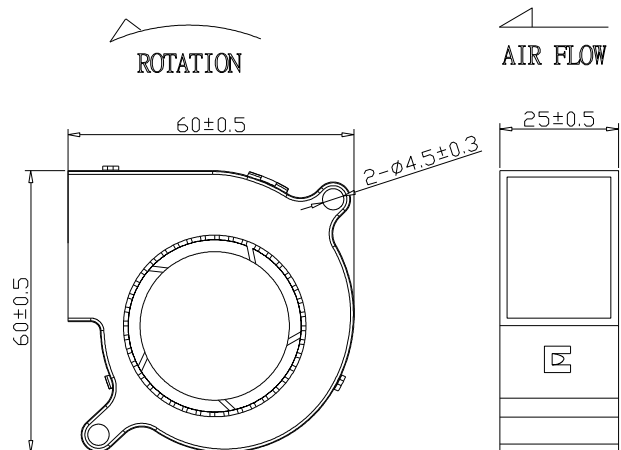
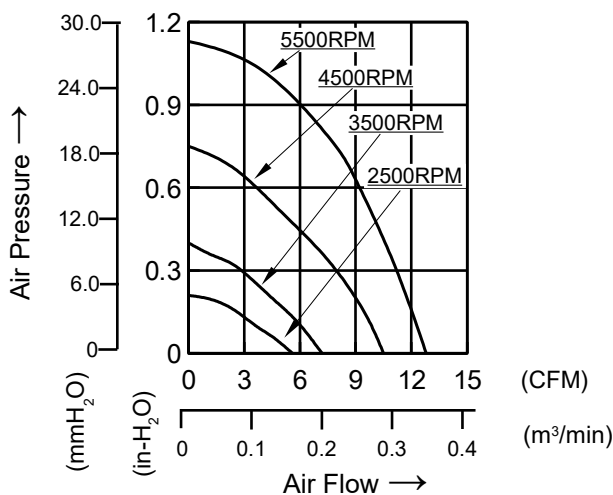


- MOTOR : DC single phase brushless motor
- FRAME : PBT (94V-0) ; IMPELLER : PBT(94V-0)
- OPERATING TEMP.: -10°C~70°C
- STORAGE TEMP.: -40°C~70°C
- WEIGHT : 45g



JARO Part Number	*Bearing System	Rated Voltage	Rated Current	Rated Speed	Maximum Air Flow		Maximum Static Pressure		Sound Level
	B / F	V	A	RPM	m <sup>3</sup> /min	CFM	mm-H <sub>2</sub> O	In-H <sub>2</sub> O	dBa
JCB0602512JB1A0E	B / F	12	0.10	2500	0.16	5.6	5.40	0.21	24
JCB0602512LB1A0E	B / F	12	0.25	3500	0.20	7.2	10.20	0.40	27
JCB0602512MB1A0E	B / F	12	0.40	4500	0.30	10.5	19.15	0.75	41
JCB0602512HB1A0E	B / F	12	0.50	5500	0.36	12.8	28.82	1.13	47

\*Bearing system B:two ball bearing F:fluid bearing



\*All models can be customized. Please contact your JARO representative for further information.

\*Specs are subject to change without notice. Please visit JARO website at <https://jarothermal.com> for update information.