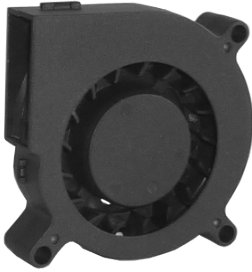




## BLOWERS

**60x60x15mm**

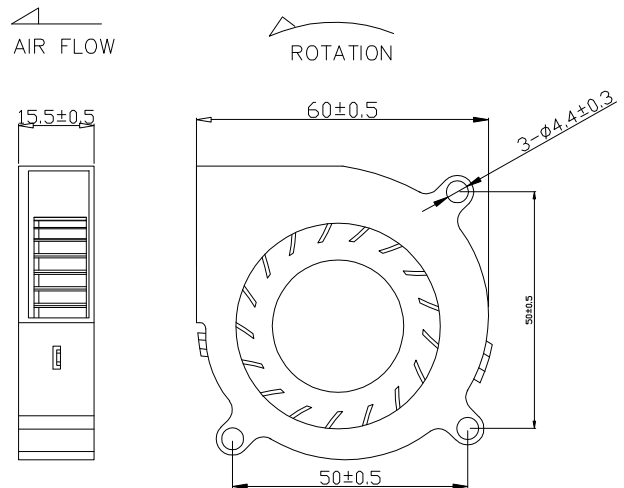
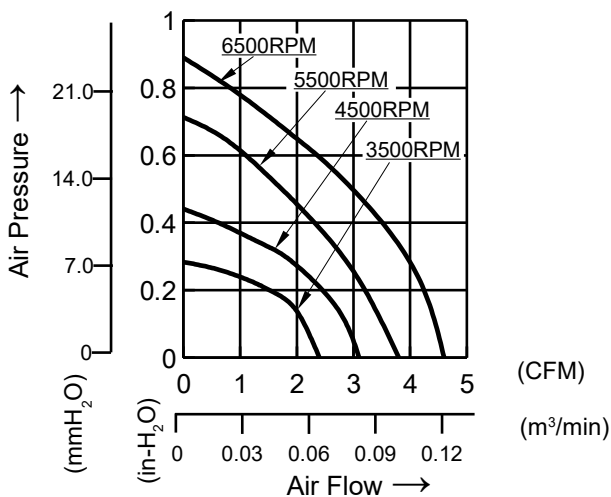


- MOTOR : DC single phase brushless motor
- FRAME : PBT (94V-0) ; IMPELLER : PBT(94V-0)
- OPERATING TEMP.: -10°C~70°C
- STORAGE TEMP.: -40°C~70°C
- WEIGHT : 40g



JARO Part Number	*Bearing System	Rated Voltage	Rated Current	Rated Speed	Maximum Air Flow		Maximum Static Pressure		Sound Level
	B	V	A	RPM	m <sup>3</sup> /min	CFM	mm-H <sub>2</sub> O	In-H <sub>2</sub> O	dBA
JCB0601512LB1A0E	B	12	0.07	3500	0.07	2.4	7.20	0.28	27
JCB0601512MB1A0E	B	12	0.09	4500	0.09	3.1	11.20	0.44	33
JCB0601512HB1A0E	B	12	0.11	5500	0.11	3.8	18.09	0.71	37
JCB0601512UB1A0E	B	12	0.13	6500	0.13	4.6	22.60	0.89	45

\*Bearing system B:two ball bearing



\*All models can be customized. Please contact your JARO representative for further information.

\*Specs are subject to change without notice. Please visit JARO website at <https://jarothermal.com> for update information.