



## BLOWERS

**50x50x20mm**

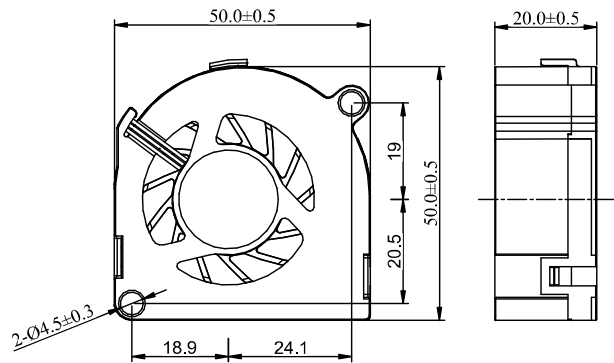
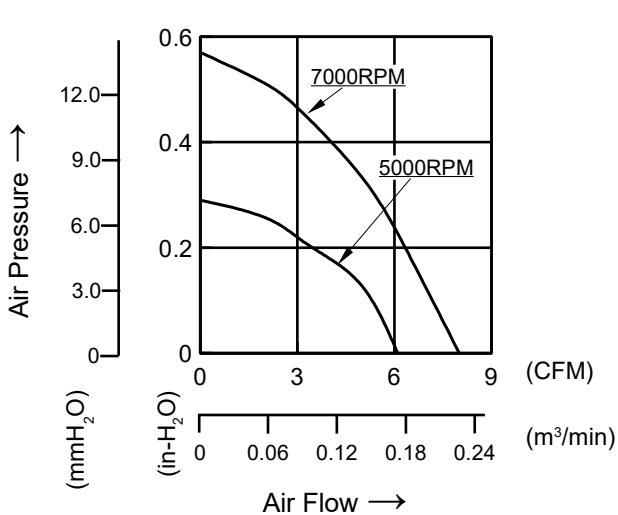


- MOTOR : DC single phase brushless motor
- FRAME : PBT (94V-0) ; IMPELLER : PBT(94V-0)
- OPERATING TEMP.: -10°C~70°C
- STORAGE TEMP.: -40°C~70°C
- WEIGHT : 38g



JARO Part Number	*Bearing System	Rated Voltage	Rated Current	Rated Speed	Maximum Air Flow		Maximum Static Pressure		Sound Level
	B / F	V	A	RPM	m <sup>3</sup> /min	CFM	mm-H <sub>2</sub> O	In-H <sub>2</sub> O	dBA
JCB0502005MB1A0E	B	5	0.18	5000	0.17	6.1	7.40	0.29	33
JCB0502012MB1A0E	B	12	0.08	5000	0.17	6.1	7.40	0.29	33
JCB0502012HB1A0E	B	12	0.21	7000	0.23	8.0	14.49	0.57	50

\*Bearing system B:two ball bearing



\*All models can be customized. Please contact your JARO representative for further information.

\*Specs are subject to change without notice. Please visit JARO website at <https://jarothermal.com> for update information.