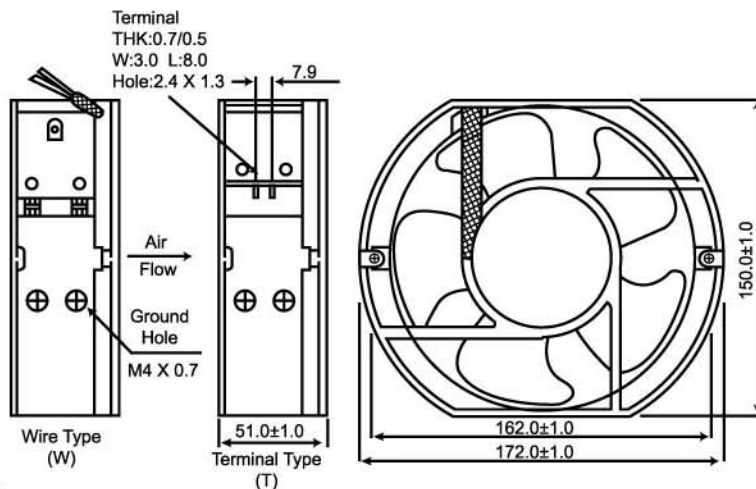




## External Dimensions



Frame: Die-Cast Aluminum  
 Impeller: Plastic (UL:94V-0)  
 Bearing: Ball bearing  
 Lead wire type or terminal type  
 Voltage Available: 110V or 220V



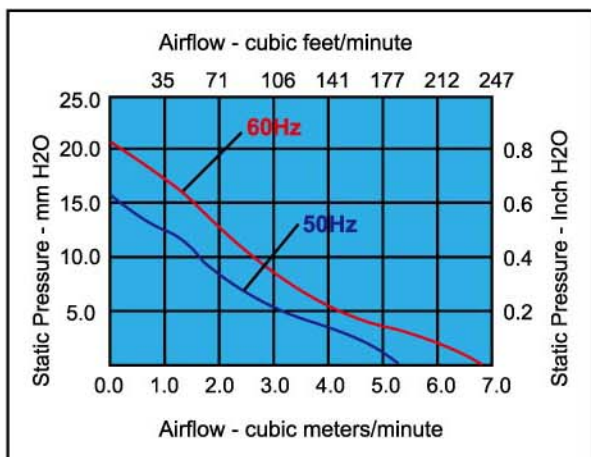
Noise is measured at the distance of one (1) meter from the axis of intake.

Bearing type: ⊙=Ball ⊛=Sleeve ○=1B1S ●=Hydraulic Bearing

## Specifications(Nominal)

Frame size (mm)	JARO Model No.	Rated (V)	Bearing System Type	Volt. (V)	Freq. (Hz)	Current (A)	Power (W)	Rated Speed (rpm)	Maximum AirFlow (CMM) (CFM)	Maximum Pressure (InAq) (mmAq)	Noise Level (dB/A)
172x150x51	JK16251HAP-110(0BAT)	110 115	⊙	70-110 80-130	50/60	0.615/0.544	50.3/45.1	2600/2850	5.4/6.5 190/230	16/20 0.63/0.79	50±2
172x150x51	JK16251MAP-110(0BAT)	110 115	⊙	70-110 80-130	50/60	0.329/0.329	28/27.9	2400/2000	4.5/4.2 159/148	13/14 0.51/0.55	40±2
172x150x51	JK16251LAP-110(0BAT)	110 115	⊙	80-120 80-130	50/60	0.281/0.281	25.9/25	2170/1300	3.2/2.9 113/100	10/8 0.40/0.31	32±2
172x150x51	JK16251HAP-220(0BAT)	200 220 240	⊙	150-210 150-240 160-260	50/60	0.311/0.266	52/46	2600/2850	5.4/6.5 190/230	16/20 0.63/0.79	50±2
172x150x51	JK16251MAP-220(0BAT)	200 220 240	⊙	150-210 150-240 160-260	50/60	0.174/0.171	28.8/28.5	2400/2200	4.5/4.2 159/148	13/14 0.51/0.55	40±2
172x150x51	JK16251LAP-220(0BAT)	200 220 240	⊙	150-210 150-240 160-260	50/60	0.133/0.128	23.1/21.3	2170/1300	3.2/2.9 113/100	10/8 0.40/0.31	32±2

" PQ curve below is for "H" speed, for all other speeds please contact your JARO representative. "



	0	1	2	3
Impedance		By IC	RD	FG
	6	9	B	F
Impedance +FG		PWM	PWM+FG	PWM+RD

•Motor protective circuit and third lead wire functions

✓	✓		✓	✓

•Safety approvals